

24 VDC ALTERNATOR ENGINE DRIVEN POWER PACKAGES

- 24 VDC power source
- Supplies up to 70 watts
- Permanent magnet alternator
No arcing components
- Available for flange magneto drive or belt-driven
- CSA certified for Class I, Division 2, Group D hazardous areas

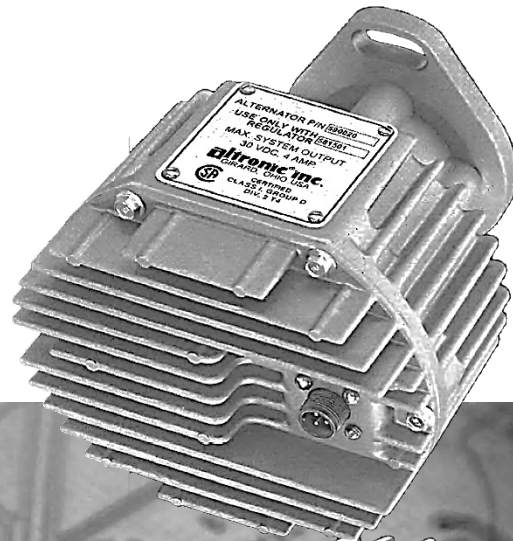
The Altronic 24 VDC alternator/regulator packages provide a reliable, engine-mounted source of DC power for Altronic DC-powered digital ignition systems and other engine accessories.

There are two versions available:

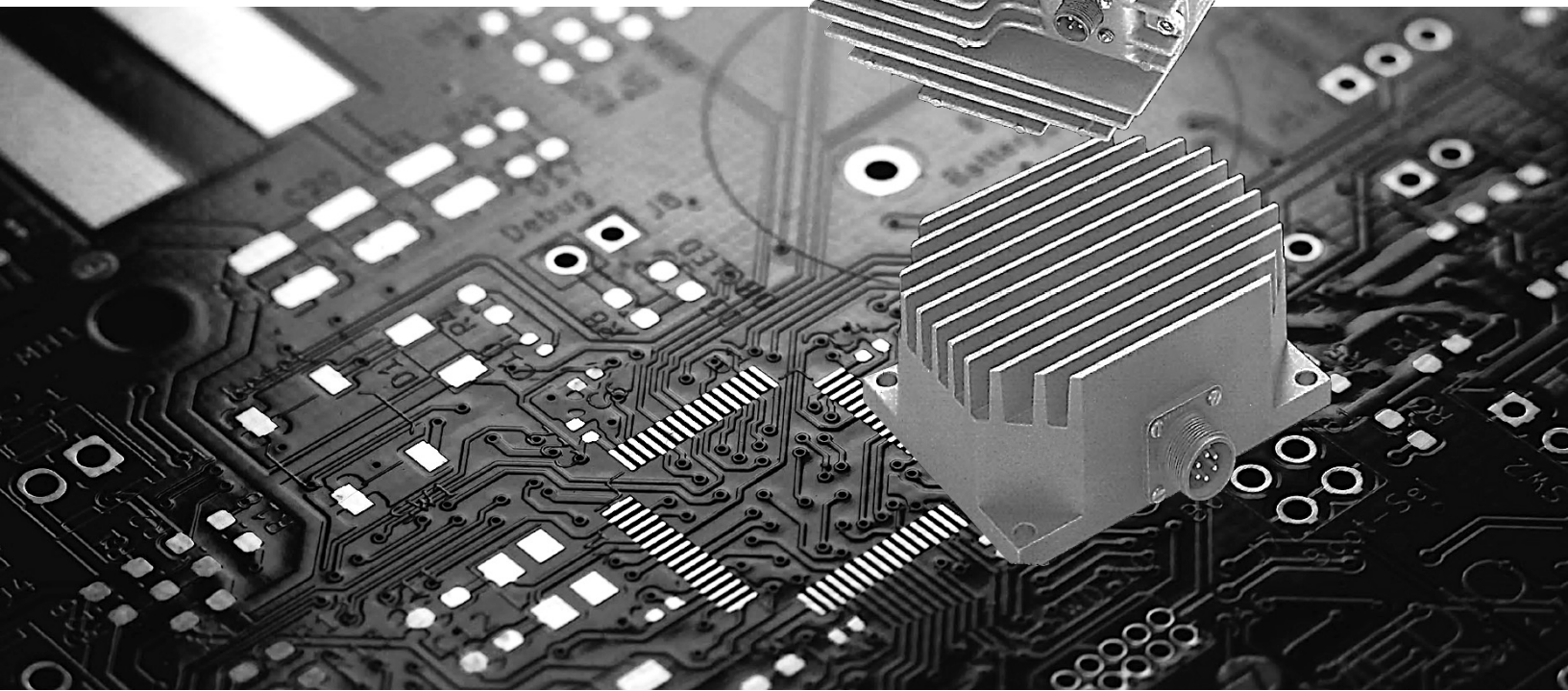
VERSION I – DC power for ignition and control accessories:
The Version I alternator provides up to 70 watts (3 amps) output at 1,800 RPM (see graph on second page). This unit is used with an auxiliary battery pack which provides power under starting conditions. It can be used to power Altronic CD1, CD200, CPU-95 and DISN ignition systems and additional accessories up to 70 watts total consumption.

VERSION II – provides a self-powered, digital ignition system when used with the Altronic CD1, CD200, CPU-95 and DISN ignition systems. These will operate from low cranking speeds to full operating RPM (see chart on second page) with no batteries required.

Adaptation to any engine model is provided by coupling and belt-driven models. The coupling-driven models are available with any Altronic III flange assembly.

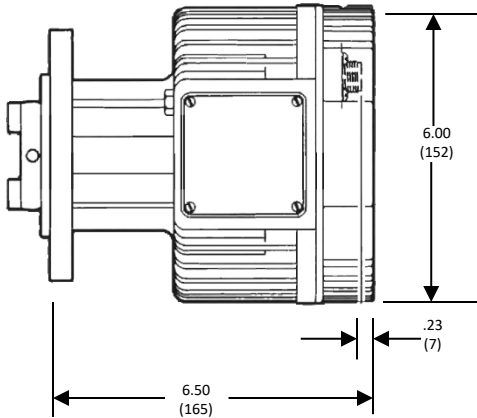


CERTIFIED CLASS I,
DIVISION 2, GROUP D

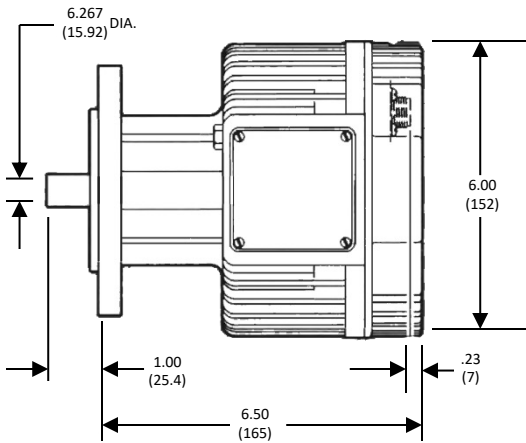


Dimensions

590110/590111 SERIES

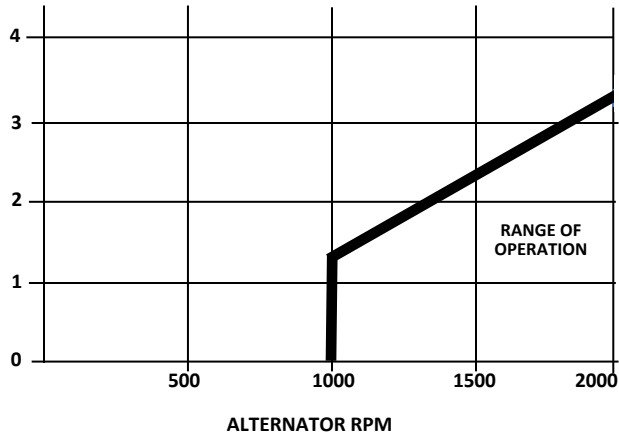


590116/590117 SERIES



Version I

Amps @ 24VDC



Graph shows available output. Battery Pack provides power for starting.

Version II

No. of Cycles	Cycle	Min. Drive Ratio	Min. Engine RPM	Max. Engine RPM
1-4	2	1:1	60	1800
5-8	2	2:1	50	900
10-16	2	3:1	50	600
4-8	4	1:1	60	1800
10-16	4	1.5:1	50	1200

Direct power for Altronic CD1, CD-200, CPU-95 and DISN ignition systems

To Order

Alternator:

- Version I, coupling-driven 590110-*
 - Version I, belt-driven 590016-G
 - Version II, coupling-driven 590111-*
 - Version II, belt-driven 590017-G
- * - A flange mount, vertical SAE; -D flange mount, horizontal 3" pilot; -G flange mount, horizontal 2-slot; -GV flange mount, vertical 2-slot

Regulator:

- Version I 581501
- Version II 581502

Battery Pack – Version I only 591100

Cable Assemblies:

- Unshielded 48" 593060-1
- Unshielded 120" 593060-2
- Shielded, regulator to J-box, 48" 593058-1
- Shielded, regulator to J-box, 120" 593058-2
- Shielded, alternator to J-box, 180°, x-inches 593022-x
- Shielded, alternator to J-box, 90°, x-inches 593027-x

ALTRONIC

A Member of the HOERBIGER Group

712 Trumbull Avenue / Girard, Ohio 44420
 (330) 545-9768 / Fax: (330) 545-3231
www.altronic-llc.com / Email: sales@altronic-llc.com

Form ALT24V 8-22 ©2022 Altronic, LLC

